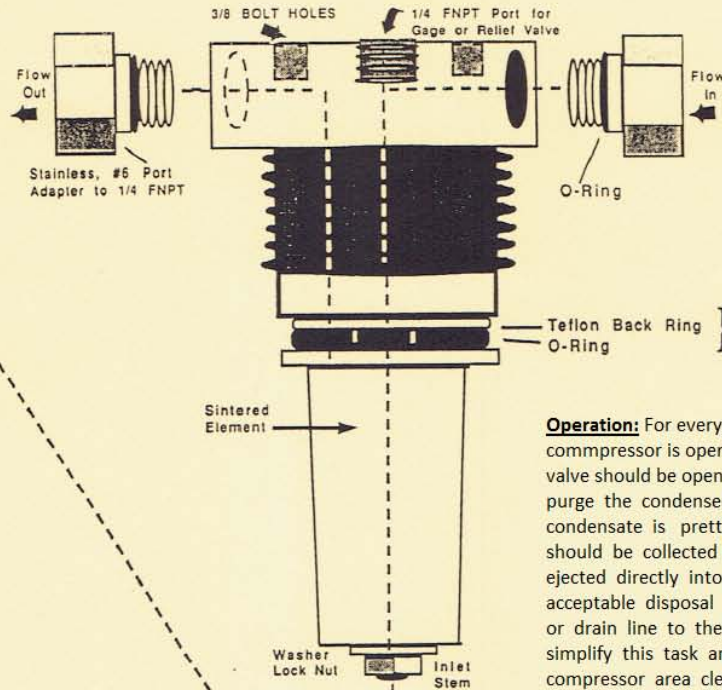


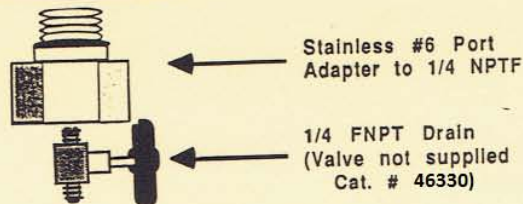
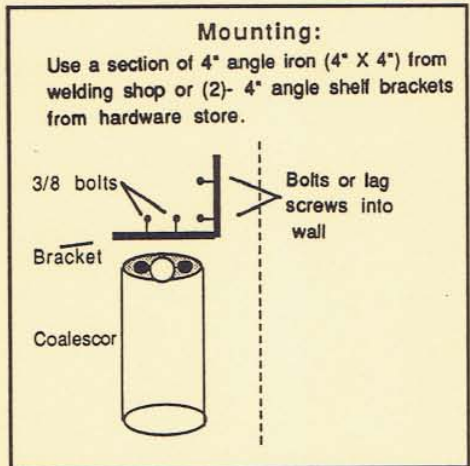
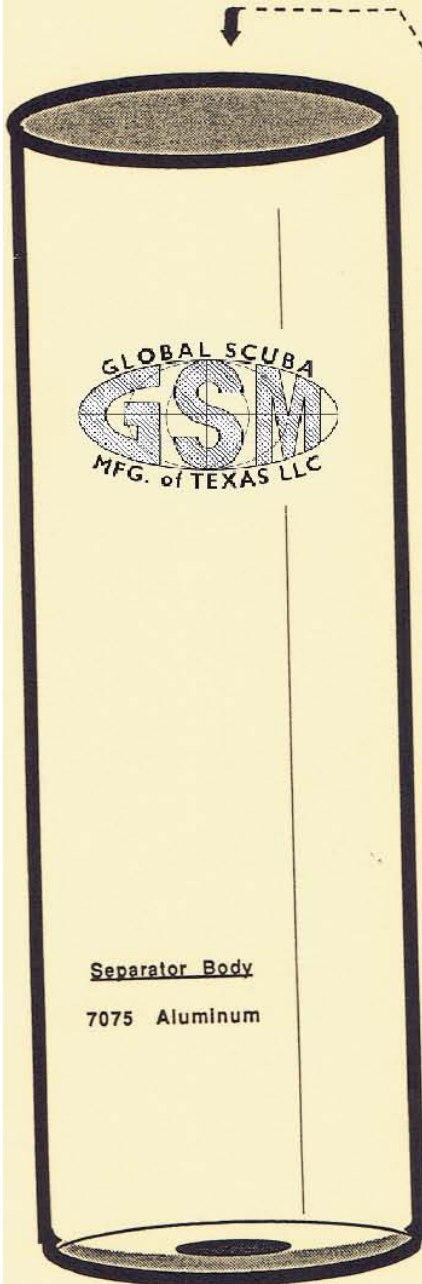
GSMoT COALESCOR (After Separator)

Catalog #44130



Operation: For every 15 - 30 minutes that the compressor is operated, the coalescor drain valve should be opened for 10 - 15 seconds to purge the condensed oil/water sludge. This condensate is pretty sloppy material and should be collected in a suitable container or ejected directly into a sewer drain or other acceptable disposal conduit. Attaching a tube or drain line to the drain valve will greatly simplify this task and will help keep your compressor area clean. When compressing operations are completed, remaining pressure can be removed from the machine by slowly opening the coalescor drain valve.

MAINTENANCE: About once a year the coalescor should be opened, inspected, and cleaned out if needed. Condensed oil/water residues can be wiped out or dissolved with a suitable detergent such as GSMoT Special Cleaner (#42100). If the internal sintered brass element appears to be impregnated or stained with oil or debris, remove it from the separator body and soak it for a few hours in naphtha or other oil solvent. Then soak it in a detergent solution and purge it dry with compressed air. Replace the element into the coalescor body and reassemble the unit. **DO NOT OVERTIGHTEN THE MAIN SEAL... "HAND-TIGHT" IS FINE AND WILL PREVENT O-RING SEIZURES WHEN NEXT OPENED.**



The separator comes without a drain valve; many dive shops will already have a suitable valve to use for this purpose. Any valve rated for the appropriate pressure which has a 1/4 pipe thread can be used. A scuba filler line valve works well. If a valve needs to be purchased, GSMoT model #46330 is suitable.